

UXL220-2FR



Features

- AGM Non-Spillable type
- Flame retardant container (UL94 V-0)
- Maintenance Free (No water topping required)
- Valve regulated
- Fitted with Explosion proof Filter
- No equalizing charge required
- Excellent high rate discharge performance
- Low self-discharge
- Easy handling
- Compact in size
- Conform to UN2800 special provision A67 in IATA Dangerous Goods Regulation and NOT to subject to IATA Dangerous Goods Regulations

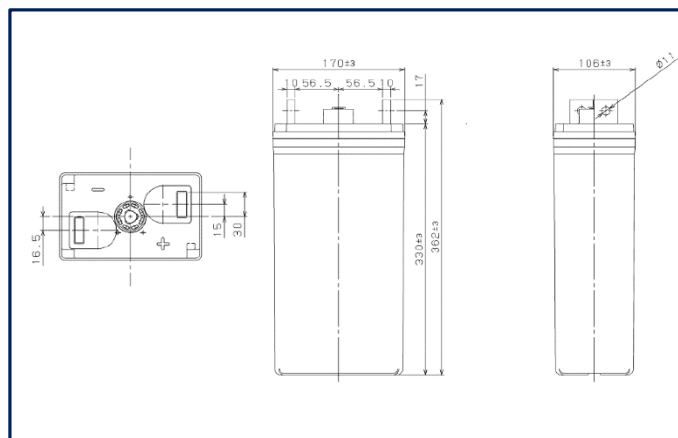
Valve Regulated Lead Acid Battery



General Specification

Nominal Voltage (V)	2
Capacity (Ah/10HR)	200
Dimension (mm)	Length 170 +/- 3 Width 106 +/- 3 Case Height 330 +/- 3 (Overall Height 362 +/- 3)
Terminal	L-shaped Terminal (φ11)
Approx. Weight (kgs)	15.1
Container	Flame Retardant ABS (UL94 V-0)
Design Life at 20°C	15 Years in Float Use
Maximum Continuous Discharge current	600A for 3 minutes
Float Charging Voltage	2.23V/cell at 25°C

Maximum charging current	0.25CA
Operation Temperature	Charging : -15°C ~ 45°C Discharging : -15°C ~ 45°C Storage : -20°C ~ 50°C



Discharge Performance at 25°C

F.V.	Unit	Discharge Time										
		1 min	5 min	10 min	15 min	30 min	1 h	2 h	3 h	5 h	8 h	10 h
1.80V	W	720	648	553	475	351	231	140	105	70.0	47.9	39.4
	A	400	357	303	260	189	121	73.0	54.1	35.7	24.4	20.0
1.75V	W	827	715	602	515	364	240	145	106	71.0	48.8	39.8
	A	473	404	333	284	196	127	76.0	54.8	36.7	25.0	20.2
1.70V	W	932	775	630	548	376	247	150	109	73.0	49.8	40.2
	A	541	444	364	303	204	131	78.0	56.3	37.7	25.3	20.4
1.67V	W	987	801	669	563	387	254	154	113	74.0	50.0	40.6
	A	588	465	381	313	211	133	80.0	57.6	38.1	25.6	20.6
1.65V	W	1035	829	680	574	394	254	154	113	74.0	51.0	41.0
	A	625	488	392	323	215	135	81.0	58.8	38.5	26.0	20.8



GS Battery Vietnam Co. Ltd is fully own by GS Yuasa Japan. GS Yuasa is the world's second largest battery company and a 100+ year old Japanese corporation.