

UXL330-2NNTS



Features

- AGM Non-Spillable type
- Flame retardant container (UL94 V-0)
- Maintenance Free (No water topping required)
- Valve regulated
- Fitted with Explosion proof Filter
- 2,200 cycles at DOD50%
- Low self-discharge
- Easy handling
- Compact in size
- Conform to UN2800 special provision A67 in IATA Dangerous Goods Regulation and NOT to subject to IATA Dangerous Goods Regulations

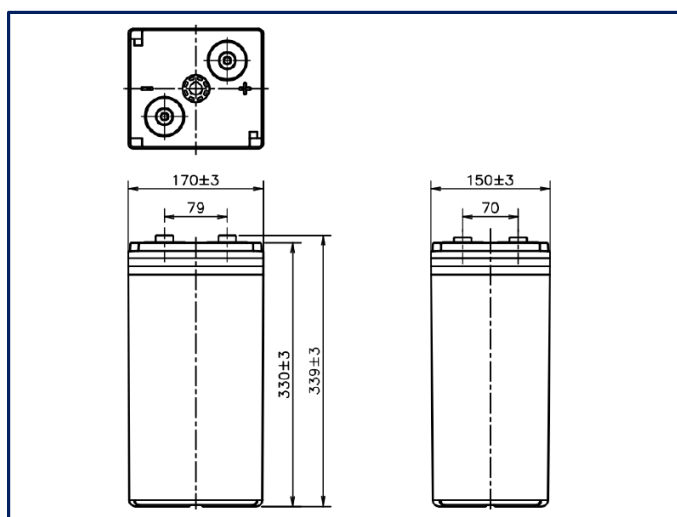
Valve Regulated Cycle Lead Acid Battery



General Specification

| | |
|--------------------------------------|--|
| Nominal Voltage (V) | 2 |
| Capacity (Ah/10HR) | 300 |
| Dimension (mm) | Length 170 +/- 3 Width 150 +/- 3 Case Height 330 +/- 3 (Overall Height 339 +/- 3) |
| Terminal | Nut Inserted Terminal (M10) |
| Approx. Weight (kgs) | 18.5 |
| Container | Flame Retardant ABS (UL94 V-0) |
| Design Life at 25°C | 7 Years in Float Use |
| Maximum Continuous Discharge current | 900A for 3 minutes |
| Float Charging Voltage | 2.23V/cell at 25°C |
| Cycle Charging Voltage | 2.35V/cell at 25°C |

| | |
|--------------------------|---|
| Maximum charging current | 0.25CA |
| Operation Temperature | Charging : -15°C ~ 45°C Discharging : -15°C ~ 45°C Storage : -20°C ~ 50°C |



Discharge Performance at 25°C

| F.V. | Unit | Discharge Time | | | | | | | | | | |
|-------|------|----------------|--------|--------|-----|-----|------|------|------|------|------|------|
| | | 10 min | 15 min | 30 min | 1 h | 2 h | 3 h | 5 h | 8 h | 10 h | 12 h | 24 h |
| 1.80V | W | 730 | 627 | 464 | 305 | 190 | 141 | 94 | 68.3 | 59.1 | 50.8 | 27.2 |
| | A | 387 | 332 | 243 | 160 | 96 | 75.3 | 49.9 | 34.0 | 30.0 | 25.7 | 13.8 |
| 1.75V | W | 796 | 680 | 480 | 317 | 196 | 143 | 96 | 69.4 | 59.3 | 52.1 | 27.1 |
| | A | 425 | 361 | 256 | 167 | 99 | 76.4 | 51.1 | 34.9 | 30.2 | 26.3 | 13.8 |
| 1.70V | W | 832 | 723 | 496 | 326 | 203 | 147 | 98 | 71.1 | 59.4 | 52.3 | 27.1 |
| | A | 463 | 387 | 266 | 172 | 104 | 78.7 | 52.7 | 35.4 | 30.3 | 26.6 | 13.8 |
| 1.67V | W | 883 | 743 | 510 | 335 | 208 | 153 | 101 | 71.3 | 59.5 | 52.3 | 27.1 |
| | A | 486 | 399 | 275 | 176 | 105 | 80.4 | 53.0 | 35.7 | 30.4 | 26.6 | 13.8 |
| 1.65V | W | 897 | 758 | 519 | 343 | 208 | 153 | 101 | 72.7 | 59.6 | 52.3 | 27.1 |
| | A | 500 | 411 | 281 | 179 | 106 | 82.0 | 53.6 | 36.3 | 30.5 | 26.6 | 13.8 |



GS Battery Vietnam Co. Ltd is fully own by GS Yuasa Japan. GS Yuasa is the world's second largest battery company and a 100+ year old Japanese corporation.